

# GREEN ENERGY

# GROUND MOUNT

## One-post system

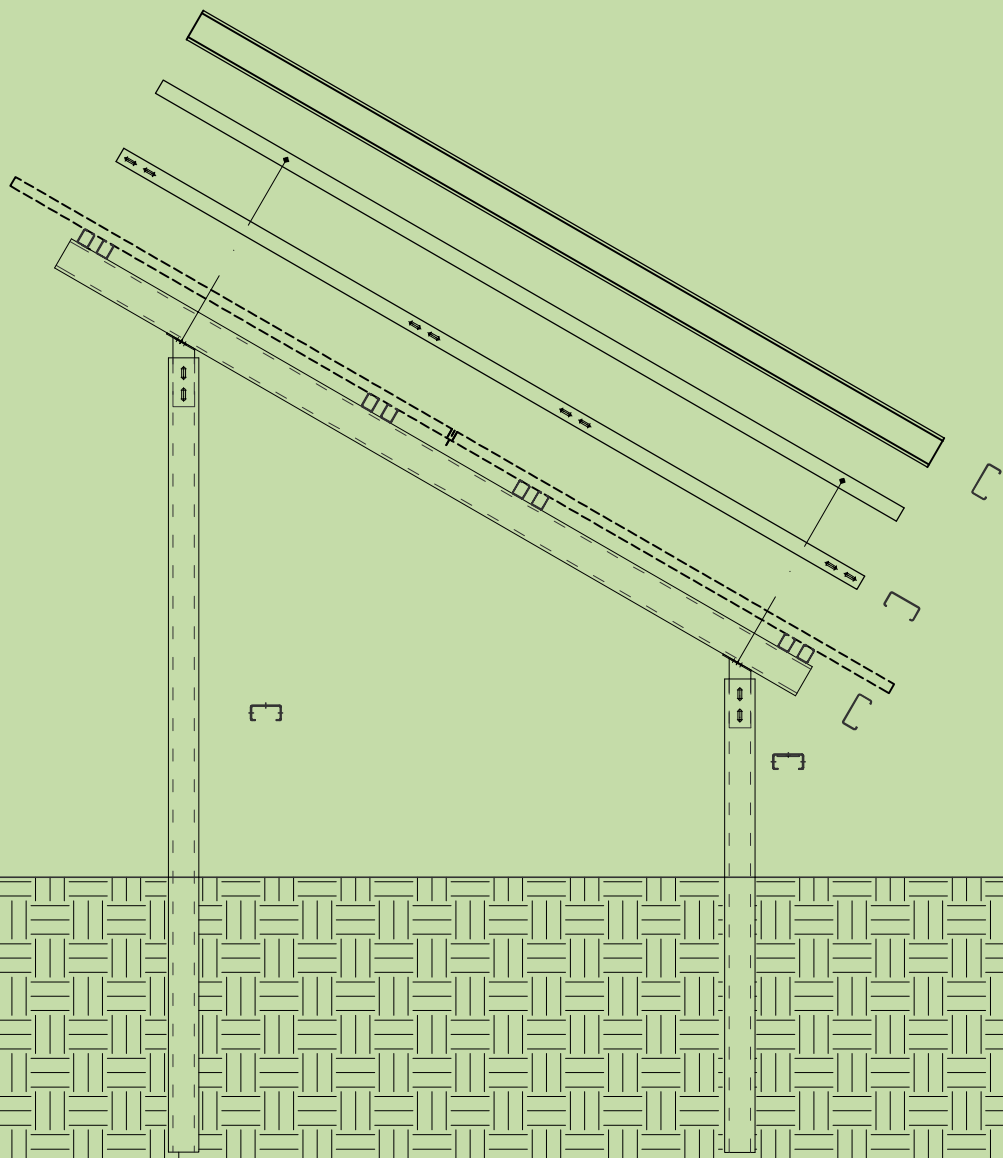
The solar panel ground mounting systems are made for commercial and utility projects that complies with the standard for safety.

- System available: One-post, Two-post
- The most cost effective and easy to install ground mount system
- Used for KW (residential) to MW (commercial) projects
- Complete drawing package for installation
- Hardware, Posts, Rails, and Clamps Included
- Aluminum and stainless steel components for corrosion, resistance and strengths.

Requires Two Concrete Foundations

All systems can be customized!





Side view

scale 1:25

# ROOF MOUNT

## Roof system

Projects in seismic areas or modules mounted in high wind zones may require roof anchoring.

The universal base design accommodates all common PV modules.

Ballasted for flat roof applications available.

All systems can be customized!



# CARPORT

- Structure material and finishing treatment: Steel / Hot Galvanized
- Engineered steel and aluminum components ensure durability
- Just a few simple components and no heavy equipment
- Structures: 2 cars/unit - Single Car also available
- From 15 modules installed to 21/each

## Dimensions

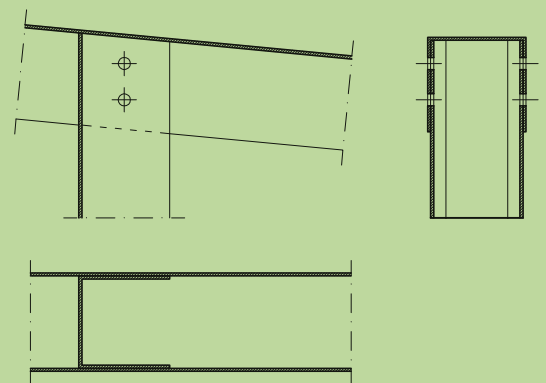
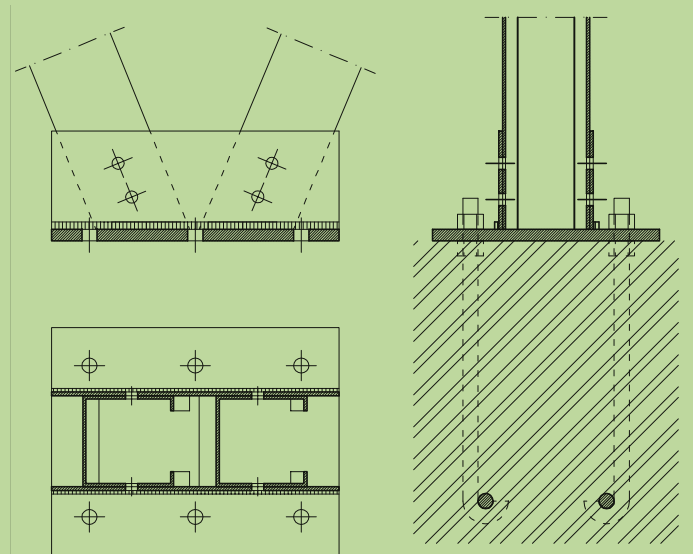
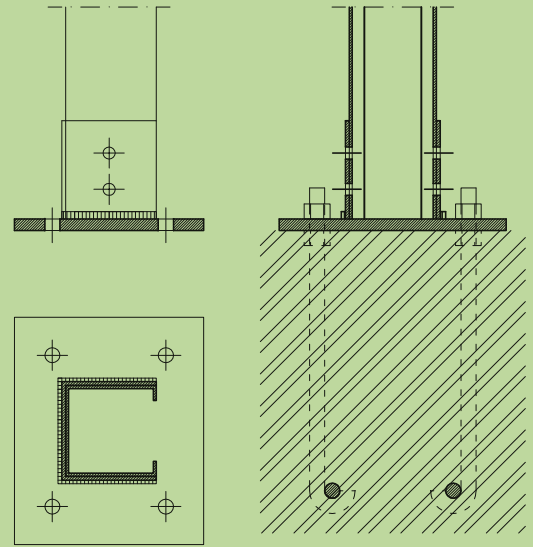
Structure Width:

- Model 1~ 5,0m (16,4'), 5,00m (16,4')
- Model 2~ 6,0m (19,6'), 5,00m (16,4')
- Model 3~ 7,5m (24,6'), 5,00m (16,4')

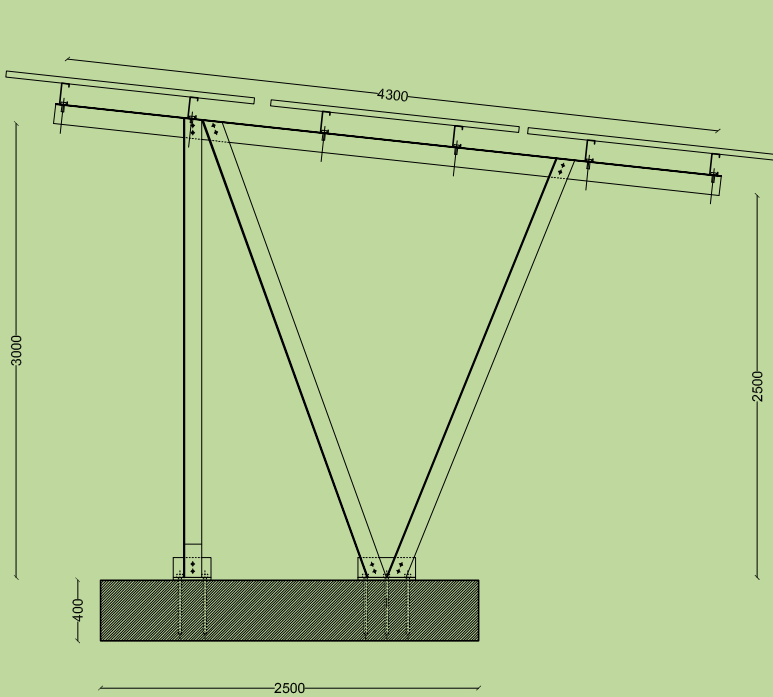
Slope Angle:

10 degree

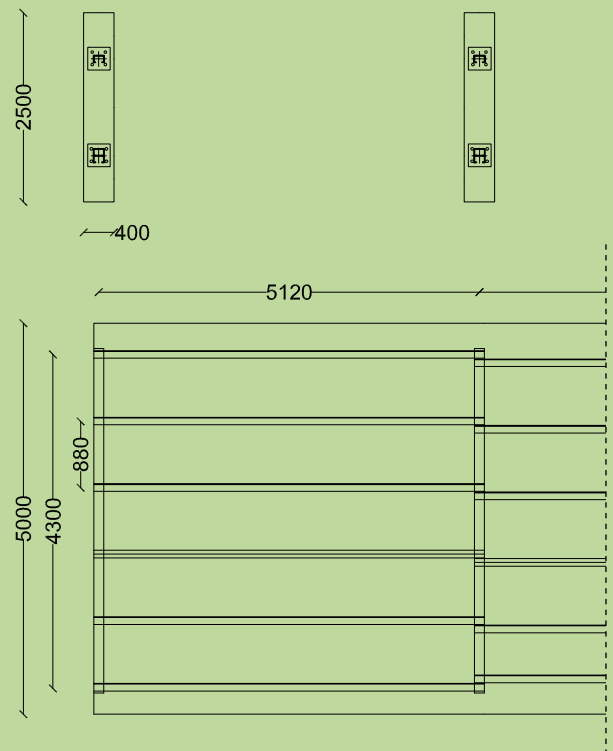
(Structures are scalable and customizable to any project size)



scale 1:10



sezione scala 1:50



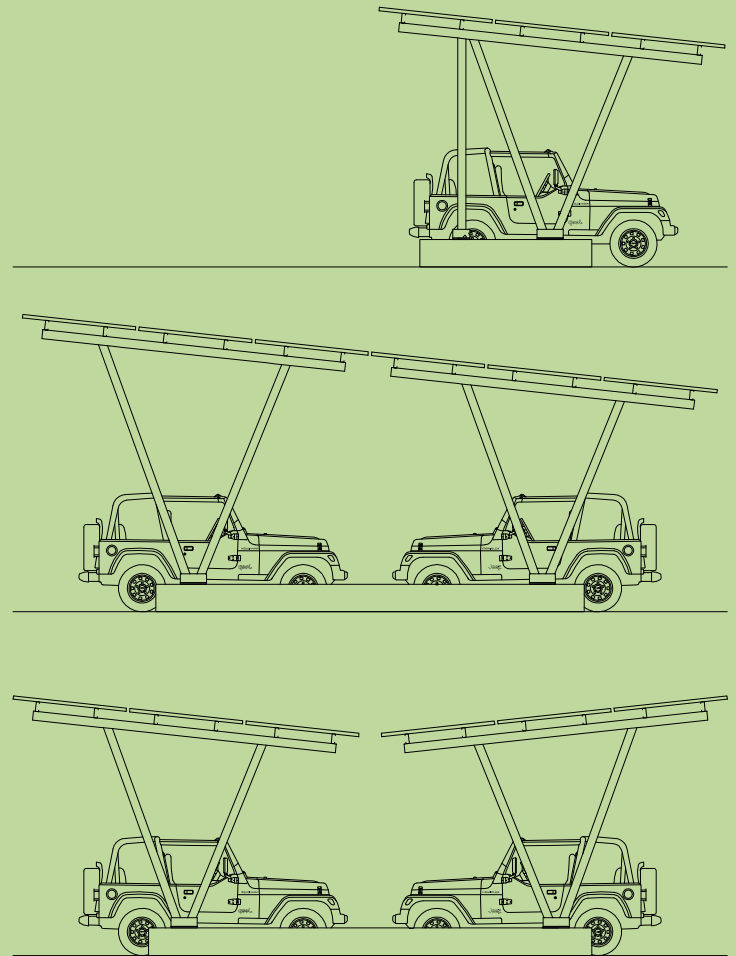
pianta carpenteria scala 1:100

# CARPORT

## Features

- Easy minimal assembly w/ no dangerous welding required
- Minimal man hours mean do more w/ less time & money
- Product can scale from residential to large commercial applications w/ ease
- Branding and Advertising. Creates additional revenue opportunities
- Charging Station. Integrates with commercially available OEM electric vehicle charging systems

## Possible layouts





## Metallurgica S.A. &F. Srl

Via S. M. Goretti, 15/b

95121 Catania (Italy)

+39 095347238

info@metallurgicasaef.it

www.metallurgicasaef.it

